

Name: Bill Jacobs **Date:** 12/16/18 **Event:** Mid-Atlantic Champs

Track: Indoor Outdoor **Size:** Small Medium Large **Traction:** Low Med High

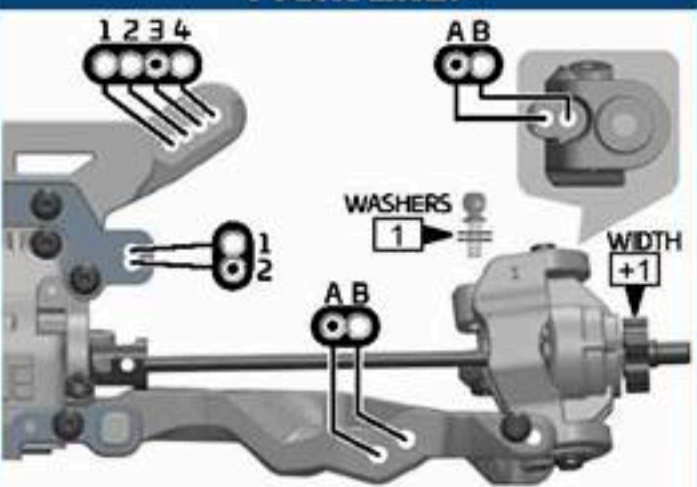
Surface: Smooth Bumpy Rutted **Type:** Dirt Clay Carpet AstroTurf

Condition: Dusty Dry Wet Muddy

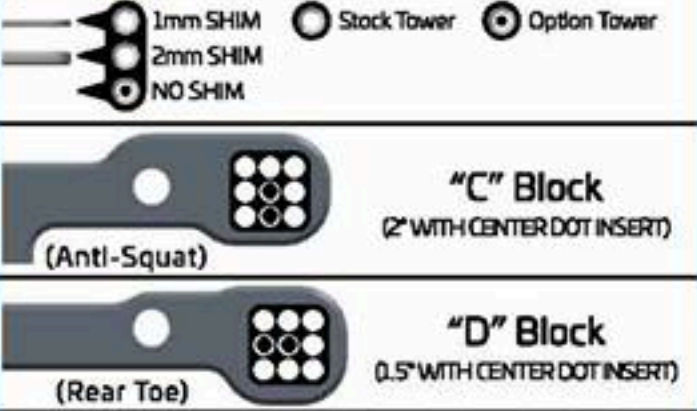
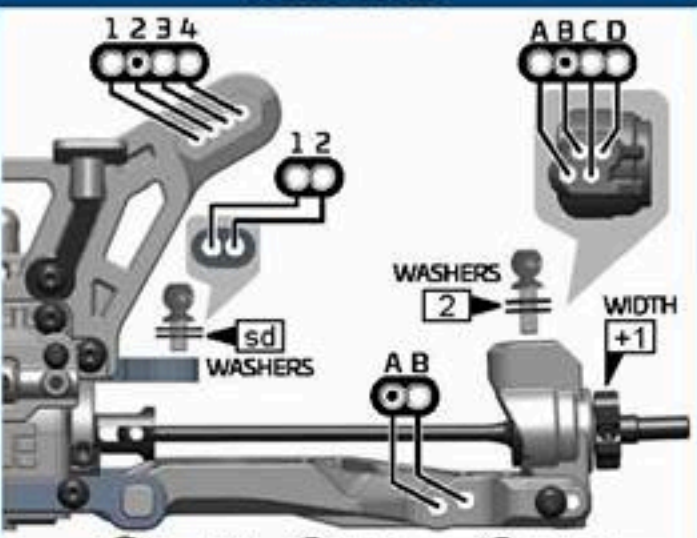
Bumpsteer/Ackermann/Steering Stop:



Front End:



Rear End:



Suspension:

	FRONT	REAR
RIDE HEIGHT	20	20
CAMBER	-1	-2
CASTER	15	
SWEEP	1.5	
KICK UP	10.5	
ANTI-SQUAT		1.75
TOE (in/out)	out 1.5 (per side)	in 1.25 (per side)
SWAY BAR	1.2	1.7
SHOCK LENGTH (DROOP)		

Shocks:

	FRONT	REAR
OIL	525	625
BRAND	pt	pt
PISTON	2x1.7	2x2.0
SPRING	orange	yellow
REBOUND	10 %	10 %
BUILD		

NOTES: shock kit added

Tires / Wheels:

	FRONT	REAR
BRAND/TREAD	prime	prime
COMPOUND	m4	m4
INSERT	blue	blue
WHEEL	ae	ae

NOTES:

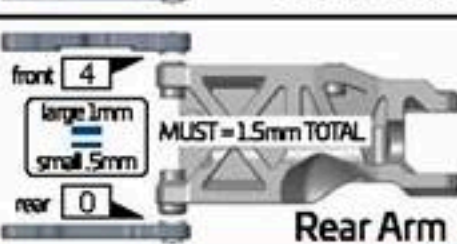
Body/Wing:

BODY/WING	st	st

DOWNFORCE SETTINGS



Wheelbase/Axle Sweep:



Differential Oil:

FRONT	CENTER	REAR
10	30	5

Electronics:

ESC:	2s
BATTERY:	ip6000
MOTOR:	13.5
RADIO:	futaba 4pk
SERVO:	bk bls-ss-hs low profile

Drivetrain:

PINION/SPUR	26	81
-------------	----	----

Chassis Braces:

Short Rear Long Rear

Notes:

flip rear arms (shocks to front) shave 1mm off back of arm, 3d printed sway bar holder, carbon towers, rear with camber link use outside down hole, front carbon brace, amdcraft middle brace and shroud, titanium turnbuckles, upper screws, al shock caps
if you are using ae wheels, use the +1 hexes, sauce rear tires if car is loose