

Name: Bill Jacobs **Date:** 08/29/19 **Event:** New Layout Setup

Track: Indoor Outdoor **Size:** Small Medium Large **Traction:** Low Med High

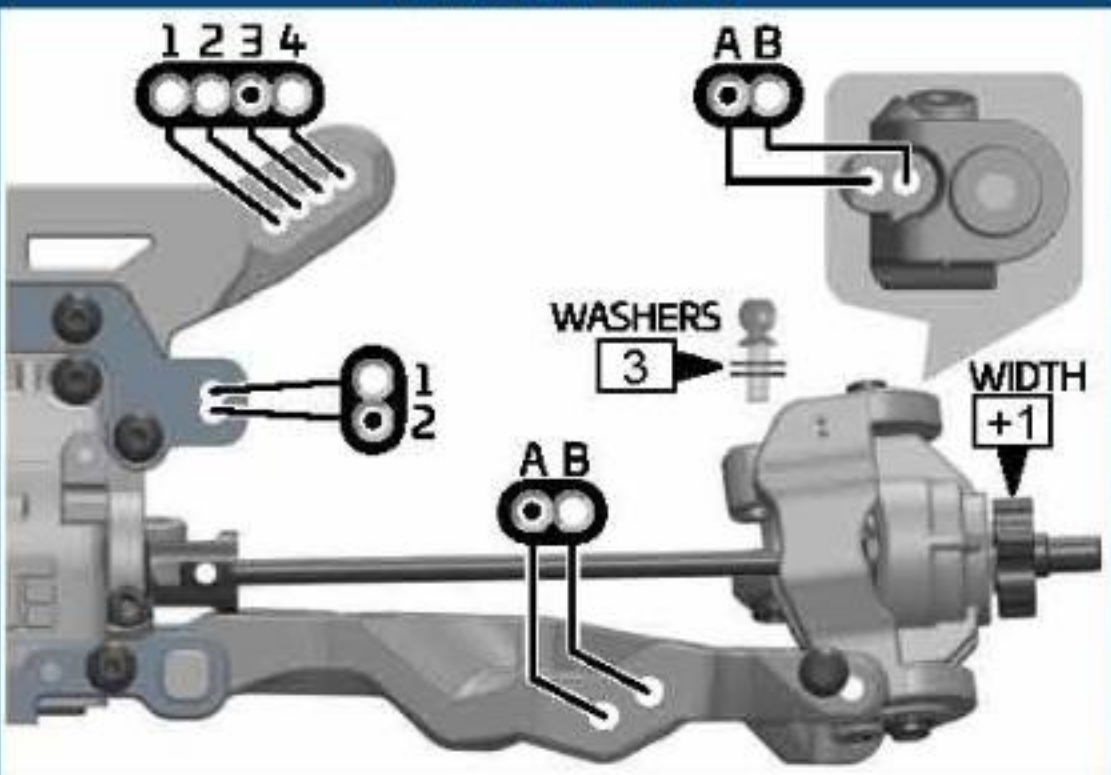
Surface: Smooth Bumpy Rutted **Type:** Dirt Clay Carpet AstroTurf

Condition: Dusty Dry Wet Muddy

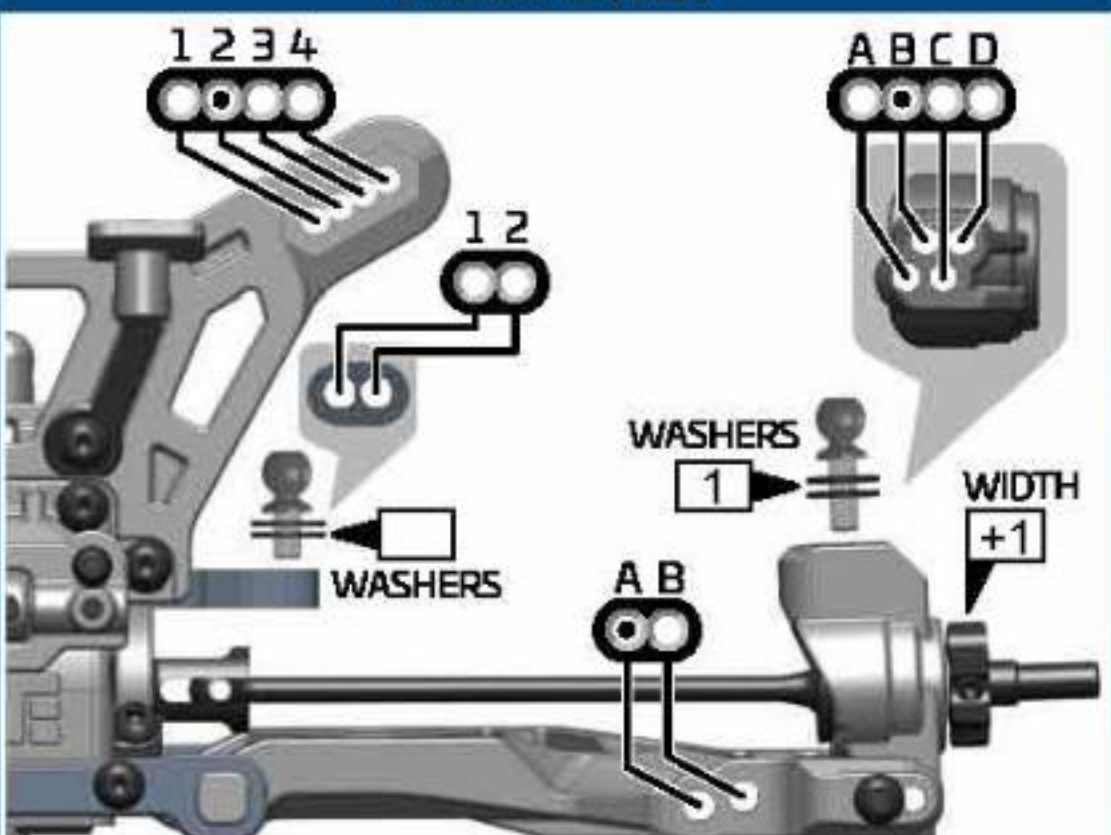
Bumpsteer/Ackermann/Steering Stop:



Front End:



Rear End:



Suspension:

	FRONT	REAR
RIDE HEIGHT	21	21
CAMBER	-1.5	-1.5
CASTER	16	
SWEEP	1.5	
KICK UP	10.5	
ANTI-SQUAT		1.0
TOE (in/out)	out 1 (per side)	in 3.00 (per side)
SWAY BAR		1.3
SHOCK LENGTH (DROOP)		

Shocks:

	FRONT	REAR
OIL	525	450
BRAND	pt	pt
PISTON	2x1.7	1.8/1.9
SPRING	Red	Yellow
REBOUND	5 %	5 %
BUILD		split piston holes

NOTES: shock kit added, axial 1202 orings

Tires / Wheels:

	FRONT	REAR
BRAND/TREAD	prime	prime
COMPOUND	mc	mc
INSERT	blue	blue
WHEEL	ae	ae

NOTES:

Differential Oil:

	FRONT	CENTER	REAR
	10	30	5

Electronics:

ESC:	HW xr10 stock spec
BATTERY:	HK Nano-Tech 4600
MOTOR:	Motiv MC2 13.5
RADIO:	Sanwa 12s
SERVO:	bk bls-ss-hs low profile

Drivetrain:

PINION/SPUR	25	81
-------------	----	----

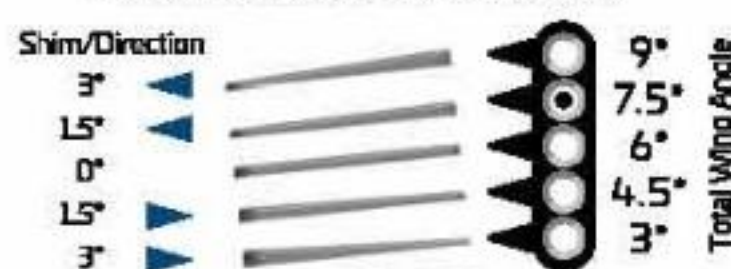
Chassis Braces:

Short Rear Long Rear

Body/Wing:

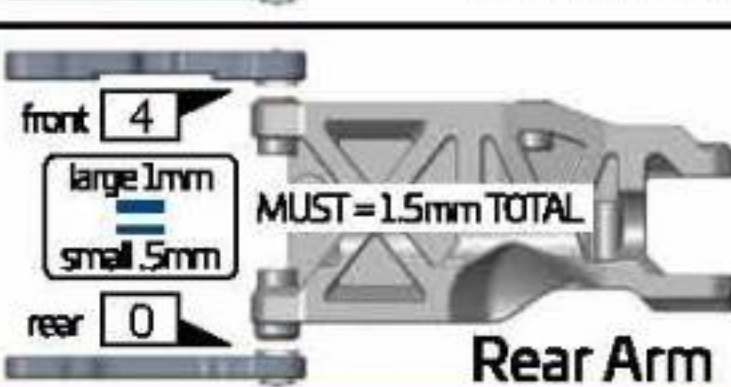
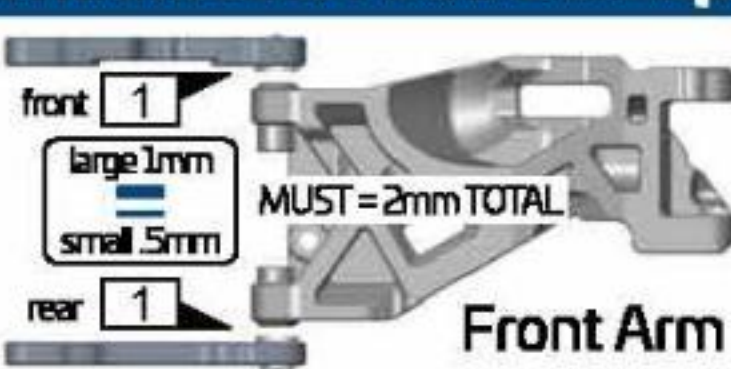
BODY/WING	st	st
-----------	----	----

DOWNFORCE SETTINGS



WING POSITION SETTINGS

Wheelbase/Axle Sweep:



Notes:

flip rear arms (shocks to front) shave 1mm off back of arm, sway bar holder (exo1879), carbon towers (rear w/camber link use outside top hole,) front carbon brace, al steering rack, al center bulkhead (exo1809), arndcraft middle brace and shroud, alum shock caps, axial 1202 orings titanium turnbuckles, rear captured hinge pins, +1 hexes for ae wheels, weight: 1730g