



# D418

## SETUP SHEET

Driver **Adam Vink**

Date **4/10/2019**

Track **The Track**

Event **Starting setup**

**Track Condition**

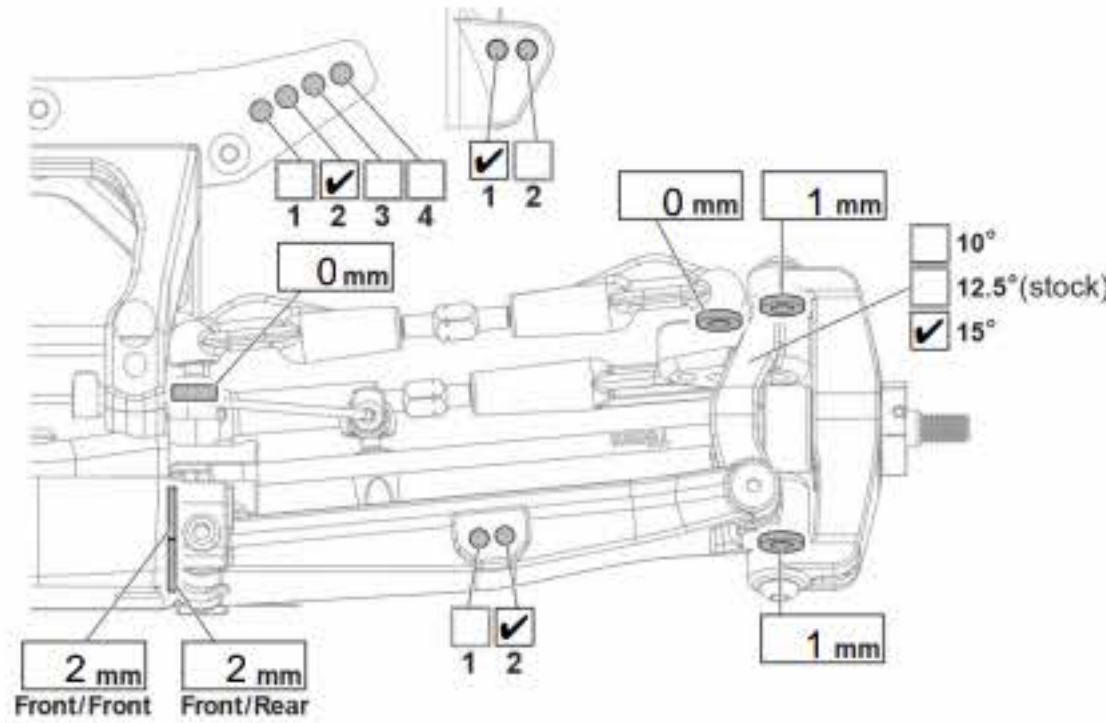
**Temperature**

**FRONT**

**FRONT KICK-UP**



Front/Front	Front/Rear	Kick-up	
.	.	10°	
..	.	9°	<input checked="" type="checkbox"/>
...	.	8°	
.	..	11°	
..	..	10°	
...	..	9°	
.	...	12°	
..	...	11°	
...	...	10°	



**FRONT SHOCKS**

Oil wt.	50
Piston	1.6 x 2
Bladder	Stock
Spring	70
Notes	
Ride Height	19 mm
Droop	mm
Camber Angle	1 °
Toe Angle	1 out °
Sway Bar	1.2 mm
Shock Length	mm

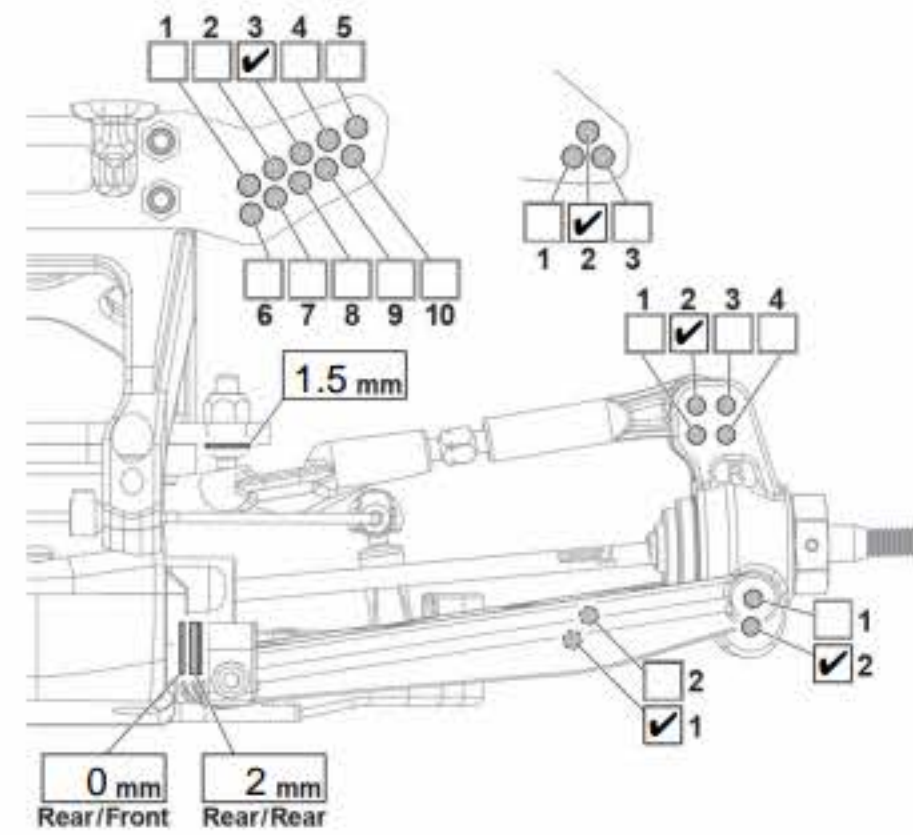


**REAR**

**REAR ANTI-SQUAT**



Rear/Front	Rear/Rear	Anti-squat	
.	.	0°	
.	..	1°	
.	...	2°	
..	..	0°	
..	...	1°	<input checked="" type="checkbox"/>
...	...	0°	
...	..	-1°	



**REAR SHOCKS**

Oil wt.	40
Piston	1.7 x 2
Bladder	Stock
Spring	35
Notes	
Ride Height	19 mm
Droop	mm
Camber Angle	2 °
Toe Angle	4 °
Sway Bar	1.4 mm
Shock Length	mm



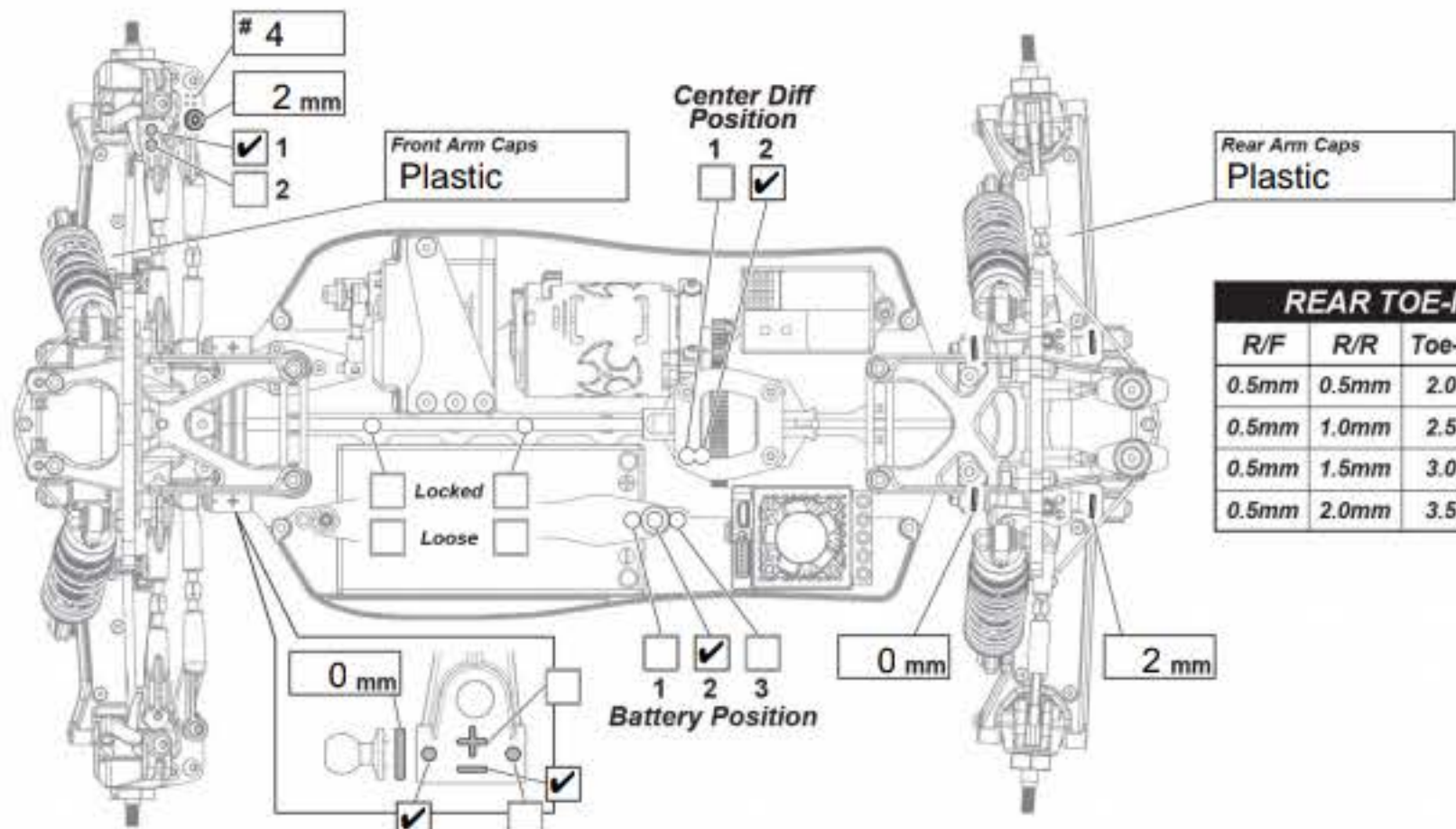
**TIRES**

Tire	Front Sweep	Rear Sweep
Insert	Sweep	Sweep

Battery IP 6000  
 Motor R1 v21 13.5  
 Gearing 29 / 72  
 Body / Wing Stock / Xray 2.0

**DIFF OIL**

	Front	Center	Rear
Brand	AE	AE	AE
Oil wt.	10k	30k	7k



**REAR TOE-IN**

R/F	R/R	Toe-in	
0.5mm	0.5mm	2.0°	
0.5mm	1.0mm	2.5°	
0.5mm	1.5mm	3.0°	
0.5mm	2.0mm	3.5°	

Notes: HB aluminum steering rack. SXT traction compound. Exotek battery tabs.

[Click to Clear Form](#)

$$\text{Gear Ratio} = \frac{\text{Spur Gear}}{\text{Pinion Gear}} \times 3.3077$$