



Bill Jacobs ▶ Racers Of "The Track" ...
in Gaithersburg, MD

October 24 · 🌐

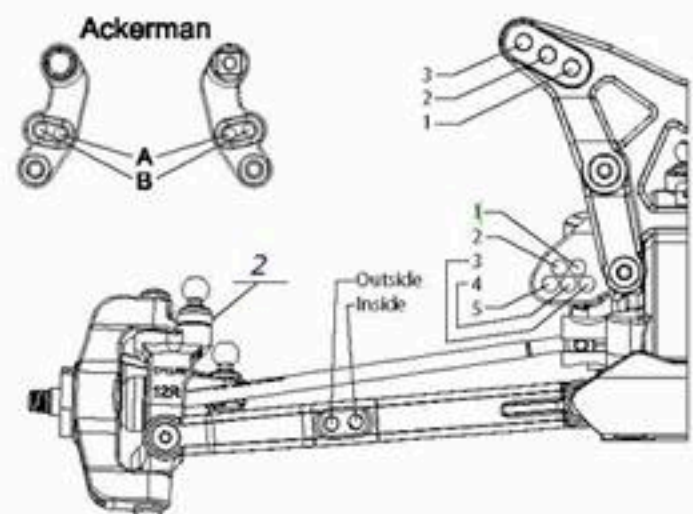
For those interested, I've been working on this setup for the Losi 22-4 2.0 for the last few weeks for the current layout. The only needed hopups from the stock 22-4 2.0 are the 22 4.0/5.0 rear arms and hubs, long ae shock eyelets for the rear shocks, AE v2 Red front springs and Blue rear springs, and another steel front brace to reinforce the front pivot (about \$25 total.) The 10' front caster blocks suit my driving style better than the 12' stock blocks, but make the car more twitchy. If you have any questions, please ask.

Name: Bill Jacobs Date: 10/23/19 Event: _____
 City: Gaithersburg State: MD Track: The Track Raceway

Track Conditions: Indoor Tight Smooth Hard Packed Blue Groove Wet Grass Low Bite High Bite
 Outdoor Open Rough Loose/Loamy Dry Dusty Astro Turf Med Bite Other _____

FRONT SUSPENSION

Toe: 0
 Ride Height: 19
 Camber: -1.5
 Caster: 10° 12.5° 15° 20°
 Diff. Type: Ball Gear Setting/Oil: 50k
 Driveshaft Type: CVA Universal
 Front Drive: Full-Time 4WD Clicker: _____
 Sway Bar: None White Yellow Pink
 Oil: 35wt AE
 Piston: 2 x 1.6 (drilled out from stock 2 x 1.5)
 Spring: Standard Low Freq. Color: AE V2 Red (4.6)
 Shock Limiters: _____ Stroke: unscrew eyelet 1mm
 Shock Location: 1-Inside
 Bump Steer Ball Stud: Standard Low Mount
 Bumper Steer Spacers: 1
 Camber Link: 1 when traction is high, 4 if it's low
 Ackermann: A B Adjustable: _____



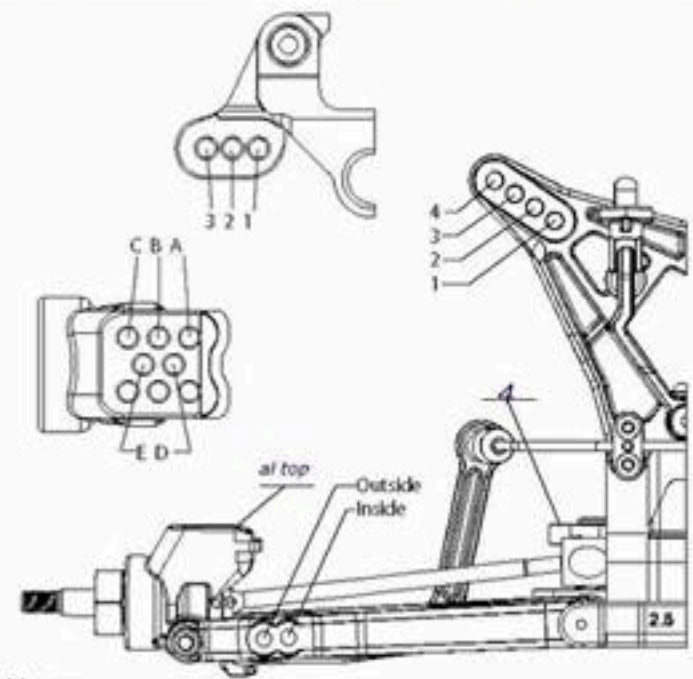
Notes:
Ti turnbuckles
F&R steel front pivot brace
AL steering arms, horns

REAR SUSPENSION

Toe: 2.0° 2.5° 3.0°
 Anti-Squat: 1° 2° 2.5° 3°
 Roll Center: Low Roll Center (LRC) High Roll Center (HRC)
 Ride Height: 19
 Camber: -1.5
 Diff. Type: Ball Gear Setting/Oil: 30k
 Driveshaft Type: CVA Universal
 Rear Hub Spacing: _____
 Hex Width: _____
 Sway Bar: None White Yellow Pink
 Oil: 32.5 AE
 Piston: 2x1.7
 Spring: Standard Low Freq. Color: AE V2 Blue (2.2)
 Shock Limiters: _____ Stroke: unscrew eyelet 1mm
 Camber Link: 2-D
 Shock Locations: 2-Middle 2wd Arm
 Wing/Wickerbill: _____
 Battery Type: Shorty Saddles
 Battery Position: plugs in back, full forward
 Rear Suspension: 22 Hub/Hex 22-4 Hub/Hex
 Rear Shock Orientation: Front of Arm Rear of Arm

ELECTRONICS

Timing Advance: 0
 Radio: _____ Throttle/Brake Expo: +25
 Servo: _____ Servo Expo: +15
 ESC: hw 3.1 stock Throttle/Brake EPA: _____
 Initial Brake: _____ Motor: Speedzone 13.5
 Drag Brake: 0 Pinion: 25 Spur: 78
 Throttle Profile: _____ Battery: Orion 5500



Notes:
2wd rear arms (spaced back), hubs (22 4.0- spaced back),
ae long shock ends, spring cups
removed top of rear tunnel, middle of top center/spur cover
rear belt tensioner- A Forward
losi 22t front hex on rear, put .3 spacer on each side of axle

TIRES	Compound	Insert	Additive	NOTES
Front: <u>Proline Prime</u>	<u>MC</u>	<u>Blue</u>		
Rear: <u>Proline Prime</u>	<u>MC</u>	<u>Blue</u>		